



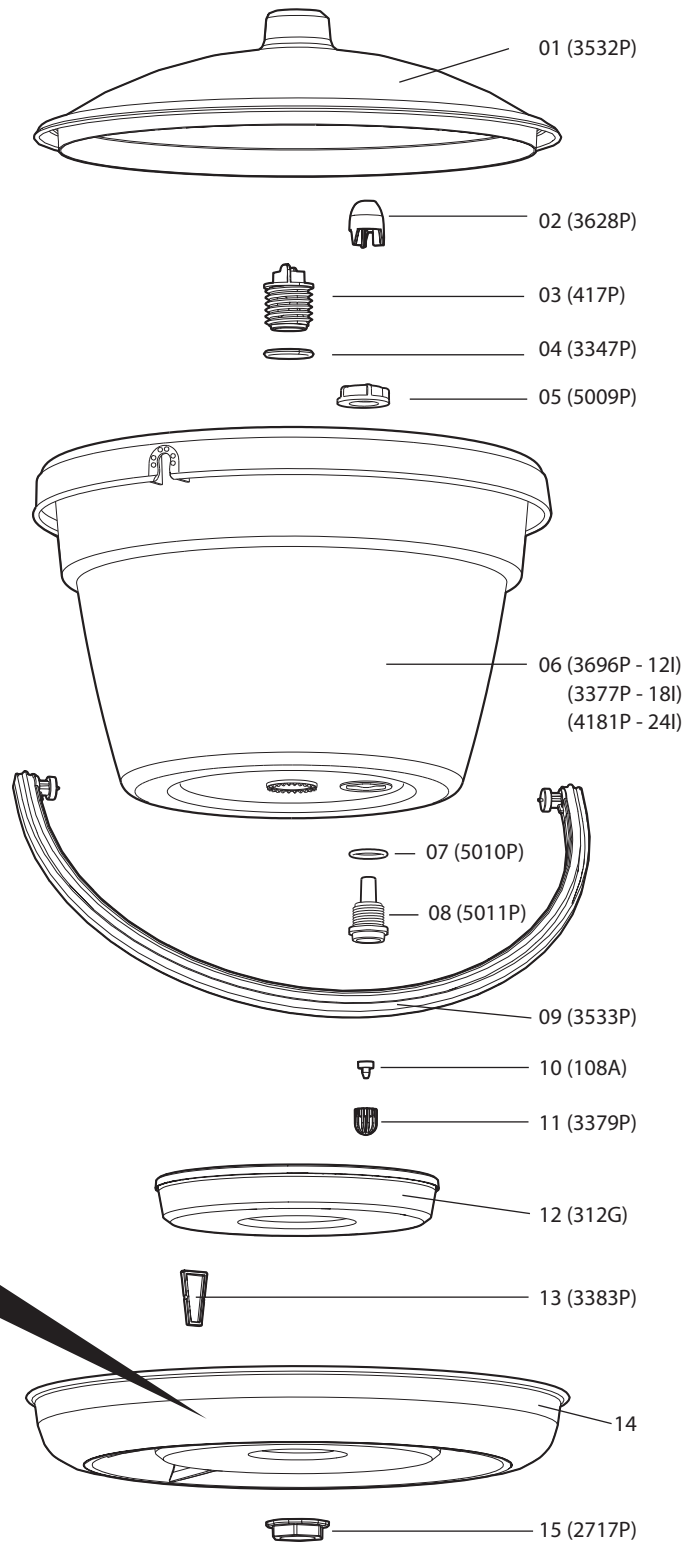
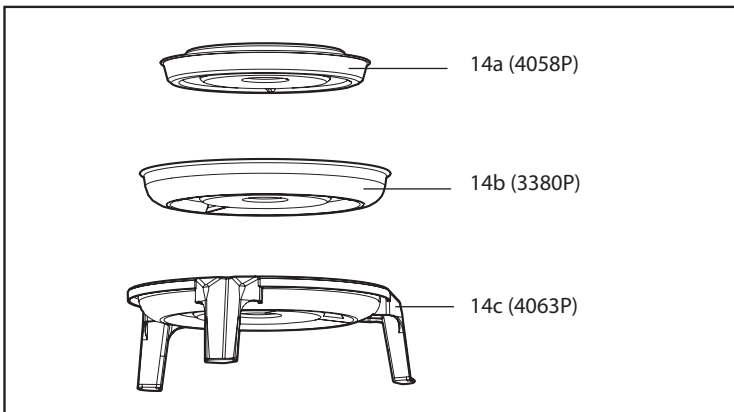
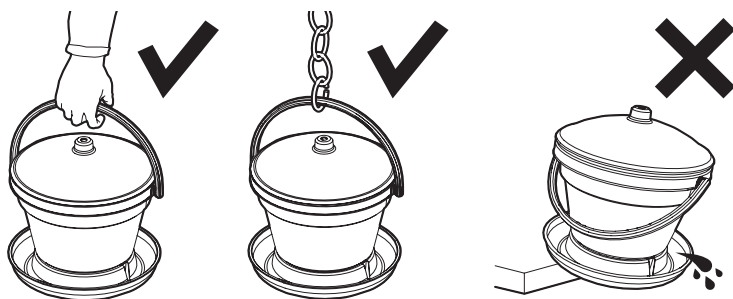
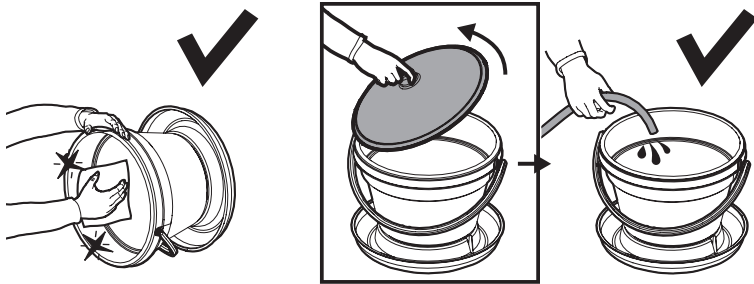
NOVITAL

MADE IN ITALY

RAPIDCLEAN 12/18/24

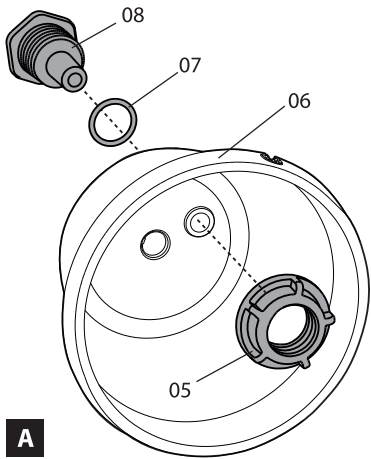


ABBEVERATOIO, LARGE DRINKER, ABREUVOIR, TRÄNKEBECKEN, BEBEDERO, BEBEDOURO, ΠΟΤΙΣΤΡΑ ΔΟΧΕΙΟΥ, VATTENAUTOMAT

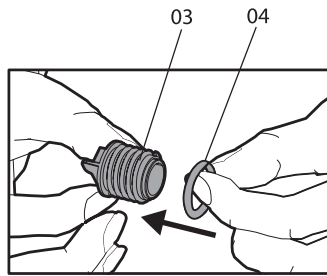




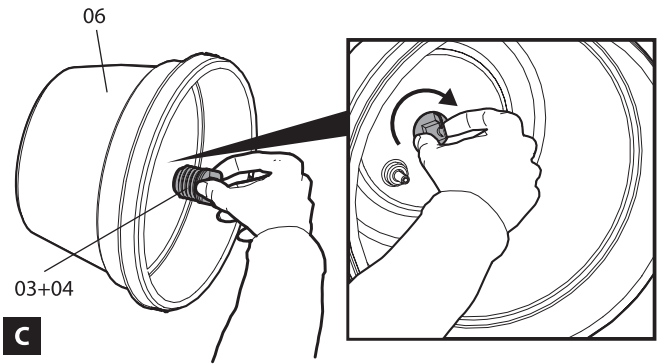
RAPIDCLEAN 12/18/24



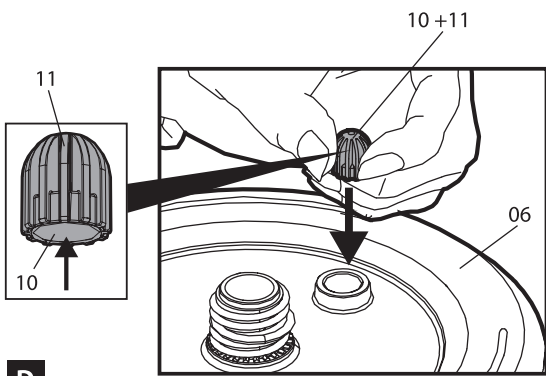
A



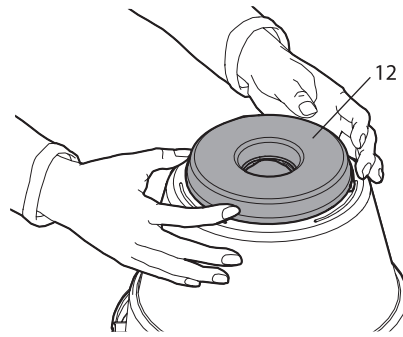
B



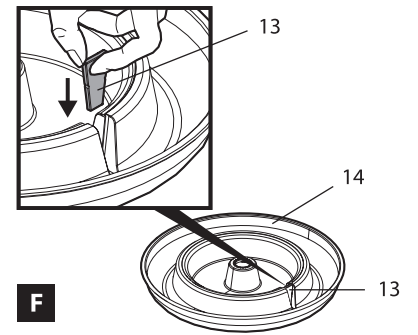
C



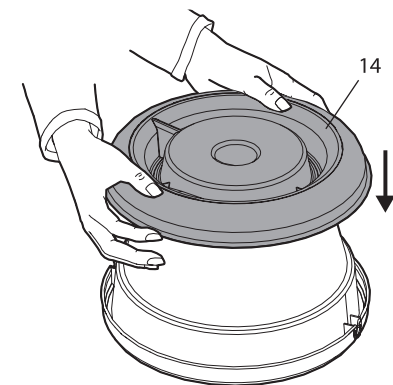
D



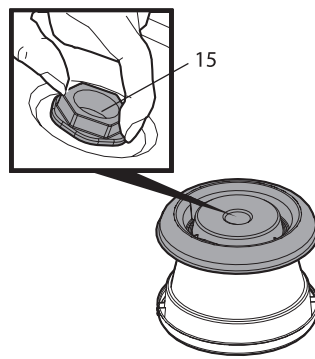
E



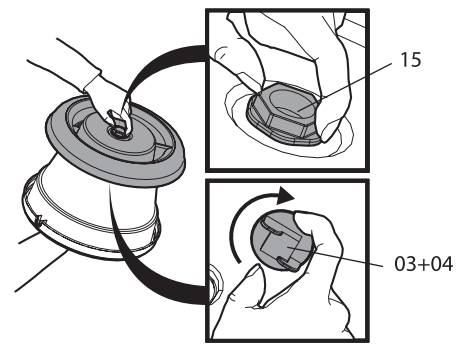
F



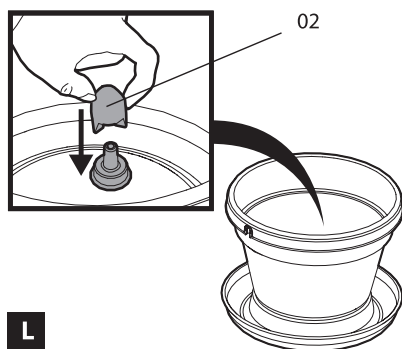
G



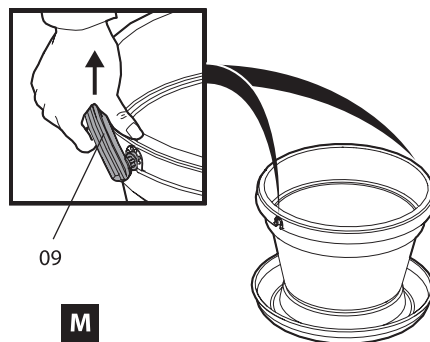
H



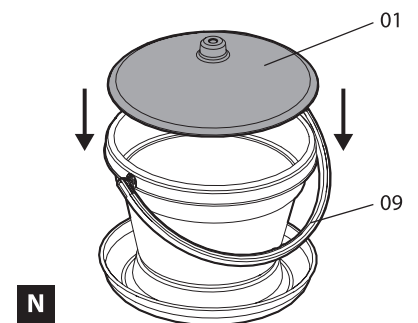
I



L



M



N